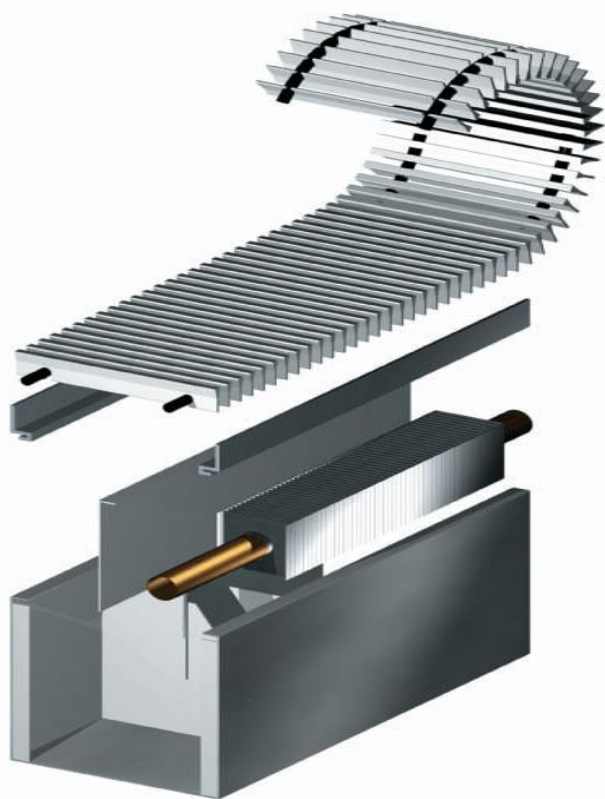




ASGARD INDUSTRIAL SYSTEMS LTD.

Trench Heating

Trench Heating typically involves a convector recessed into a steel casing within a concrete or screeded floor, with a roll-up floor grille. HCP's products are ideal for combating cold down draughts and condensation, characteristics often associated with full and half height glazing and provide an effective heat source where wall space is limited.



Perimeter Heating

HCP's Perimeter Heating range offers a choice of either Low Pressure Hot Water (LPHW) or electric heating elements. As the name implies, Perimeter Heating is usually located around the perimeter of a building and on the external walls, where the heat loss is greatest.

Perimeter Heating casings can be independently supported at low, medium or high levels to give continuous heating along walls or walkways and is ideally suited for combating cold down draughts and condensation, characteristics often associated with full and half height glazing.